



## NRSM Series

Wire Wound SMD Power Inductor  
Size 252012



### FEATUERS

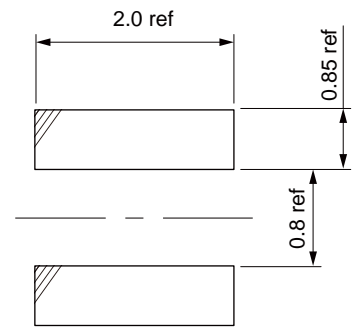
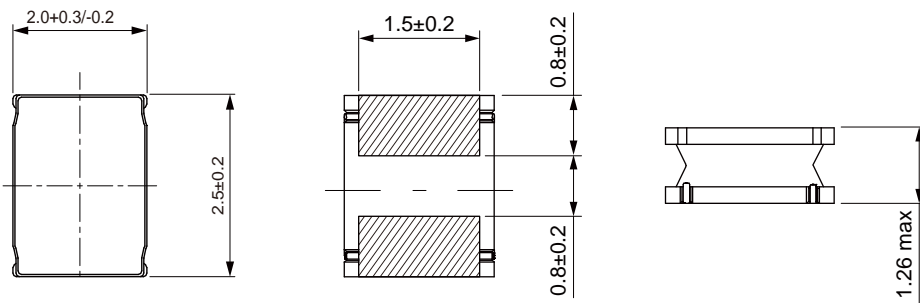
- 
- 
- 

### APPLICATION

- 
- 

Dimensions: [mm]

Land Pattern: [mm]



Electrical Properties:

Part No	Tolerance	Temperature Rise Current Typ. (A)	Satura on Current Typ. (A)	DC Resistance Typ. ( )	DC Resistance Max. ( )
	±20%	4.70	7.80	0.019	0.023
	±20%	4.30	6.30	0.023	0.028
	±20%	4.00	5.60	0.029	0.035
	±20%	3.60	4.50	0.039	0.045
	±20%	3.40	4.20	0.048	0.054
	±20%	2.80	3.50	0.060	0.078
	±20%	2.15	3.00	0.100	0.120
	±20%	1.80	2.10	0.175	0.215
	±20%	1.45	1.90	0.225	0.260
	±20%	1.10	1.40	0.305	0.366
	±20%	1.00	1.35	0.435	0.480

Temperature rise current: the actual value of DC current when the temperature rise is T40 °C  
Saturation Current that will cause initial inductance to drop approximately 30%

